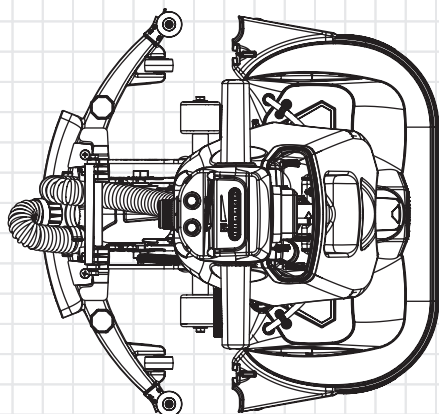
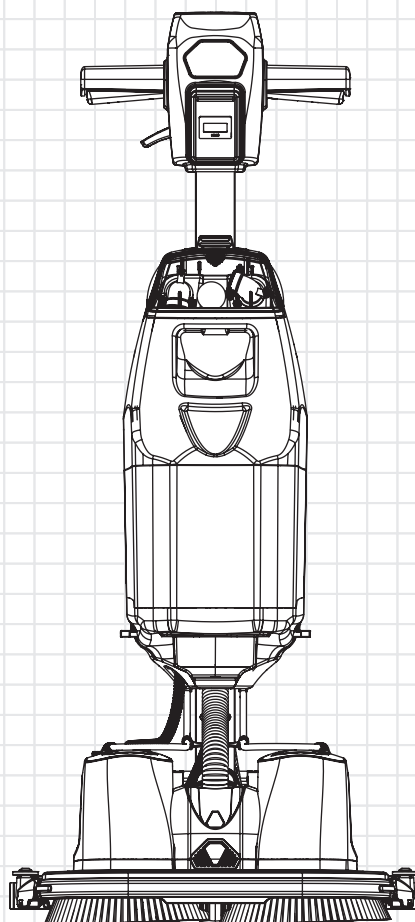
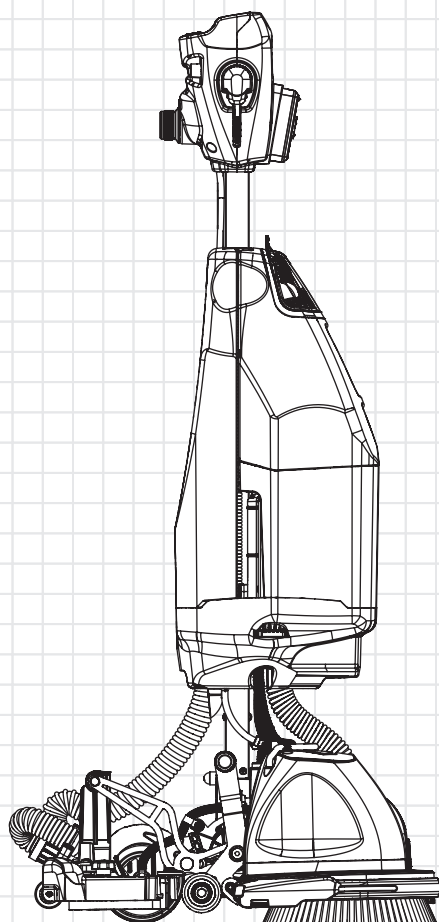


NCC440NXD



Service Engineer Exploded Drawings



DISCLAIMER:

These drawings are for part order reference only and intended for service engineers use.

The installation of Genuine Numatic spare parts should only be executed by Certified Numatic service engineers who specialised and familiar with all relevant safety regulations.

Numatic International Ltd do not accept responsibility or liability for any loss or damage to property or person if repairs or servicing of products are carried out by non-certified persons.

Specifications and parts are subject to change without notice.

HAFTUNGSAUSSCHLUSS:**DE**

Diese Zeichnungen dienen nur als Referenz für Teilebestellungen und sind nur für den Gebrauch durch Servicetechniker bestimmt.

Die Montage von originalen Numatic-Ersatzteilen darf nur von zertifizierten Numatic-Servicetechnikern ausgeführt werden, die mit allen relevanten Sicherheitsvorschriften vertraut sind.

Numatic International Ltd übernimmt keine Verantwortung oder Haftung für Verluste oder Schäden an Eigentum oder Personen, wenn Reparaturen oder Wartungsarbeiten an Produkten von nicht zertifizierten Personen durchgeführt werden.

Technische Daten und Teile können ohne vorherige Ankündigung geändert werden.

CLAUDE DE NON-RESPONSABILITÉ:**FR**

Ces schémas sont fournis à titre de référence de commande de pièces uniquement et sont destinés aux techniciens de maintenance.

L'installation de pièces de rechange Numatic d'origine doit être effectuée uniquement par des techniciens de maintenance Numatic certifiés spécialisés et familiarisés avec toutes les règles de sécurité applicables.

Numatic International Ltd décline toute responsabilité en cas de perte ou de dommage matériel ou personnel si des réparations ou l'entretien des produits sont effectués par des personnes non certifiées.

Les spécifications et les pièces sont susceptibles d'être modifiées sans préavis.

DISCLAIMER:**NL**

Deze tekeningen zijn uitsluitend bedoeld als referentie voor het bestellen van onderdelen en voor gebruik door servicemonteurs.

De installatie van originele reserveonderdelen van Numatic mag alleen worden uitgevoerd door gecertificeerde servicemonteurs van Numatic die gespecialiseerd zijn en bekend zijn met alle relevante veiligheidsvoorschriften.

Numatic International Ltd aanvaardt geen verantwoordelijkheid of aansprakelijkheid voor verlies of schade aan eigendommen of personen als reparaties of onderhoud aan producten worden uitgevoerd door niet-gecertificeerde personen.

Specificaties en onderdelen kunnen zonder voorafgaande kennisgeving worden gewijzigd.

RENÚNCIA DE RESPONSABILIDADE:**PT**

Estes desenhos servem apenas como referência para a encomenda de peças e destinam-se a ser utilizados pelos técnicos de assistência.

A instalação de peças sobresselentes genuínas da Numatic só deve ser efetuada por técnicos de assistência certificados da Numatic que se especializem e familiarizem com todos os regulamentos de segurança relevantes.

A Numatic International Ltd não aceita qualquer responsabilidade por perdas ou danos materiais ou pessoais se as reparações ou a manutenção dos produtos forem efetuadas por pessoas não certificadas.

As especificações e as peças estão sujeitas a alterações sem aviso prévio.

ESCLUSIONE DI RESPONSABILITÀ:**IT**

Questi disegni sono forniti solo come riferimento per l'ordine dei componenti e sono destinati all'uso da parte dei tecnici dell'assistenza.

L'installazione di ricambi originali Numatic deve essere eseguita esclusivamente da tecnici dell'assistenza certificati Numatic specializzati e a conoscenza di tutte le norme di sicurezza pertinenti.

Numatic International Ltd non si assume alcuna responsabilità per eventuali perdite o danni alla proprietà o alle persone se le riparazioni o la manutenzione dei prodotti vengono eseguite da persone non certificate.

Le specifiche e le parti sono soggette a modifiche senza preavviso.

EXENCIÓN DE RESPONSABILIDAD:**ES**

Estos esquemas solo se muestran como referencia para pedir piezas y para su uso por parte de ingenieros de mantenimiento.

La instalación de recambios originales de Numatic solo deben realizarla los ingenieros de mantenimiento homologados de Numatic que estén especializados y familiarizados con las normativas de seguridad pertinentes.

Numatic International Ltd no acepta la responsabilidad de cualquier pérdida o daño a la propiedad o a las personas si las reparaciones o el mantenimiento de los productos se llevan a cabo por personas sin certificación.

Las especificaciones y piezas están sujetas a cambios sin previo aviso.

ZASTRZEŻENIE:**PL**

Rysunki te służą wyłącznie do celów referencyjnych podczas zamawiania części i są przeznaczone do użytku przez inżynierów serwisowych.

Montaż oryginalnych części zamiennych Numatic powinien być wykonywany wyłącznie przez certyfikowanych serwisantów firmy Numatic, którzy posiadają odpowiednie kwalifikacje i znają wszystkie odpowiednie przepisy bezpieczeństwa.

Firma Numatic International Ltd nie ponosi odpowiedzialności za jakiegokolwiek straty lub szkody majątkowe i osobiste, jeśli naprawy lub serwisowanie produktów są przeprowadzane przez osoby nieposiadające certyfikatu.

Dane techniczne i części mogą zostać zmienione bez powiadomienia.

FRISKRIVNINGSKLAUSUL:**SV**

Dessa ritningar är endast avsedda för referens vid beställning av reservdelar och är avsedda för servicetekniker.

Installation av originalreservdelar från Numatic får endast utföras av certifierade Numatic-servicetekniker som specialiserar sig på och känner till alla relevanta säkerhetsföreskrifter.

Numatic International Ltd påtar sig inget ansvar för förlust eller skada på egendom eller person om reparationer eller service av produkter utförs av icke-certifierade personer.

Specifikationerna och produktens delar kan ändras utan föregående meddelande.

VASTUUVAPAUCLAUSEKE:**FI**

Nämä piirrokset on tarkoitettu ainoastaan osien tilaamisen avuksi ja ainoastaan huoltoinsinöörien käyttöön. Aitoja Numatic-varaosia saavat asentaa vain sertifioidut Numatic-huoltoinsinöörit, jotka ovat perehtyneet kaikkiin asiaankuuluviin turvamääräyksiin.

Numatic International Ltd ei ole vastuussa mistään omaisuus- tai henkilövahingoista, jos sertifioidut henkilöt ovat korjanneet tai huoltaneet tuotteita.

Teknisiä ominaisuuksia ja osia voidaan muuttaa ilman erillistä ilmoitusta.

ANSVARFRASKRIVELSE:**DA**

Disse tegninger er kun til reference for reservedelsordrer og er beregnet til serviceteknikere.

Montering af originale Numatic-reservedele må kun udføres af certificerede Numatic-serviceteknikere, der er specialiseret i og har kendskab til alle relevante sikkerhedsbestemmelser.

Numatic International Ltd påtager sig intet ansvar for tab eller skade på ejendom eller person, hvis reparationer eller service på produkter foretages af ikke-certificerede personer.

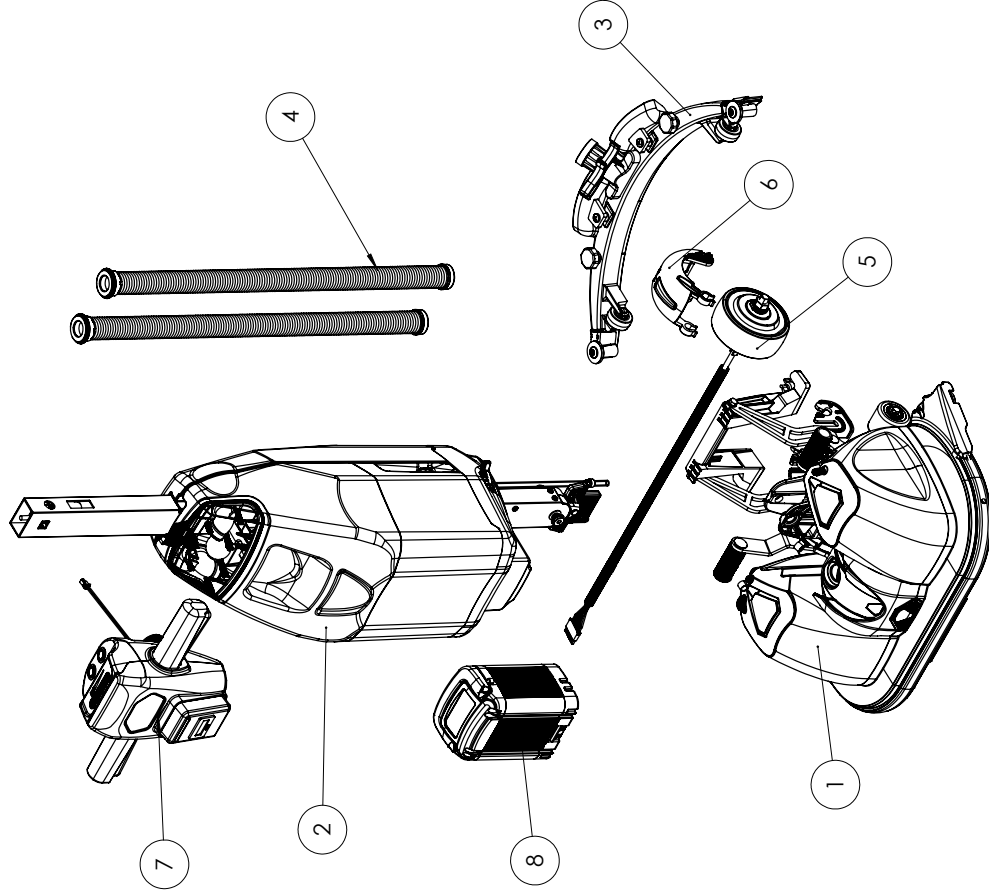
Specifikationer og dele kan ændres uden varsel.

Numatic International Spare Parts

Model No: NCC440 DRIVE TOP LEVEL ASSEMBLY - HOURS METER

919691
DRAWING: DRW-43103 ISS-A04
07/04/2025

NB: FOR WIRING SEE DRAWING: WD-0???



Numatic International Spare Parts

Model No: NCC440 DRIVE TOP LEVEL ASSEMBLY - HOURS METER

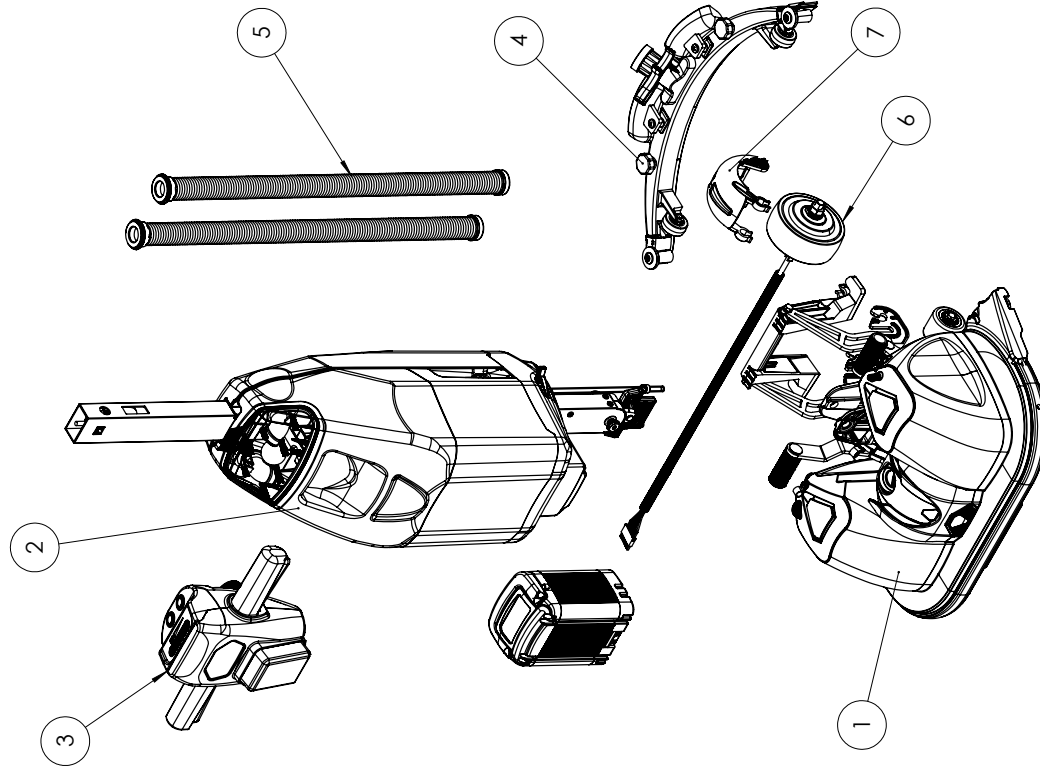
ITEM NO.	Item_No	DESCRIPTION	COMMENTS	QTY.
1	918207	BASE ASSEMBLY 170MM YOKE TRACTION CO-ROTATE MACHINE		1
2	918897	NCC440 DRIVE MID SECTION ASSEMBLY 126MM YOKE		1
3	918093	SQUEEGEE ASSEMBLY - BLACK		1
4	910931	HOSE 600MM LONG 32.8MM OD 24MM ID COMPLETE WITH END FITTINGS		2
5	917132	TRACTION DRIVE MOTOR (CTM-HUBO40)		1
6	918169	WHEEL COVER		1
7	918916	NCC440 DRIVE HANDLE ASSEMBLY - HOURS METER		1
8	909996	BATTERY:37.8100		1

Numatic International Spare Parts

Model No: NCC440 DRIVE TOP LEVEL ASSEMBLY - TELEMATICS

918868
DRAWING: DRW-43064 ISS-A03
07/04/2025

NB: FOR WIRING SEE DRAWING: WD-0???



Numatic International Spare Parts

Model No: NCC440 DRIVE TOP LEVEL ASSEMBLY - TELEMATICS

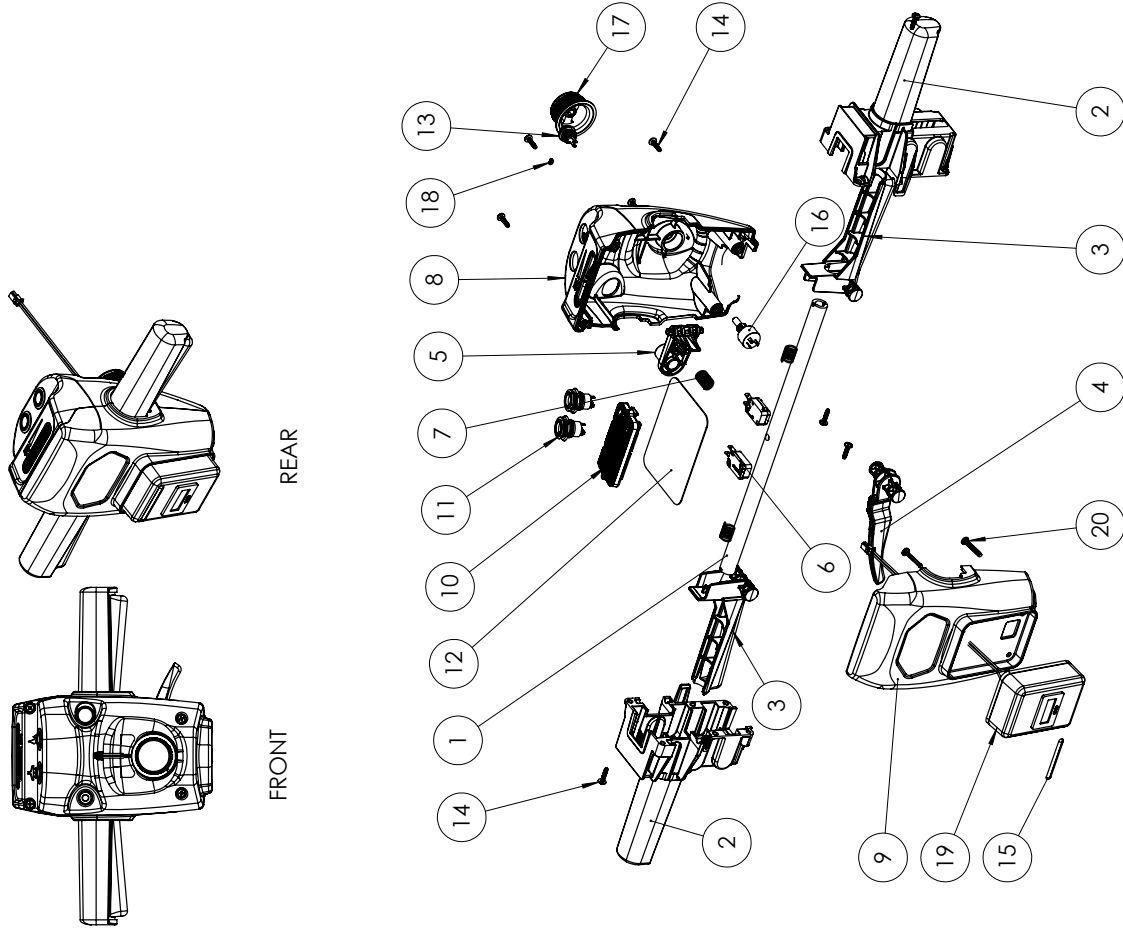
ITEM NO.	Item_No	DESCRIPTION	COMMENTS	QTY.
1	918207	BASE ASSEMBLY 170MM YOKE TRACTION CO-ROTATE MACHINE		1
2	918897	NCC440 DRIVE MID SECTION ASSEMBLY 126MM YOKE		1
3	918859	NCC440 DRIVE HANDLE ASSEMBLY - TELEMATICS		1
4	911916	SQUEEGEE ASSEMBLY - SILVER		1
5	910931	HOSE 600MM LONG 32.8MM OD 24MM ID COMPLETE WITH END FITTINGS		2
6	917132	TRACTION WHEEL ASSEMBLY TRACTION DRIVE MOTOR (CTM-HUB040)		1
7	918169	WHEEL COVER		1
8	909996	BATTERY.37.8100		1

Numatic International Spare Parts

Model No: NCC440 DRIVE HANDLE ASSEMBLY - HOURS METER

918916
DRAWING: DRW-43101 ISS-A06
07/04/2025

NB: FOR WIRING SEE DRAWING: WD-07???



Numatic International Spare Parts

Model No: NCC440 DRIVE HANDLE ASSEMBLY - HOURS METER

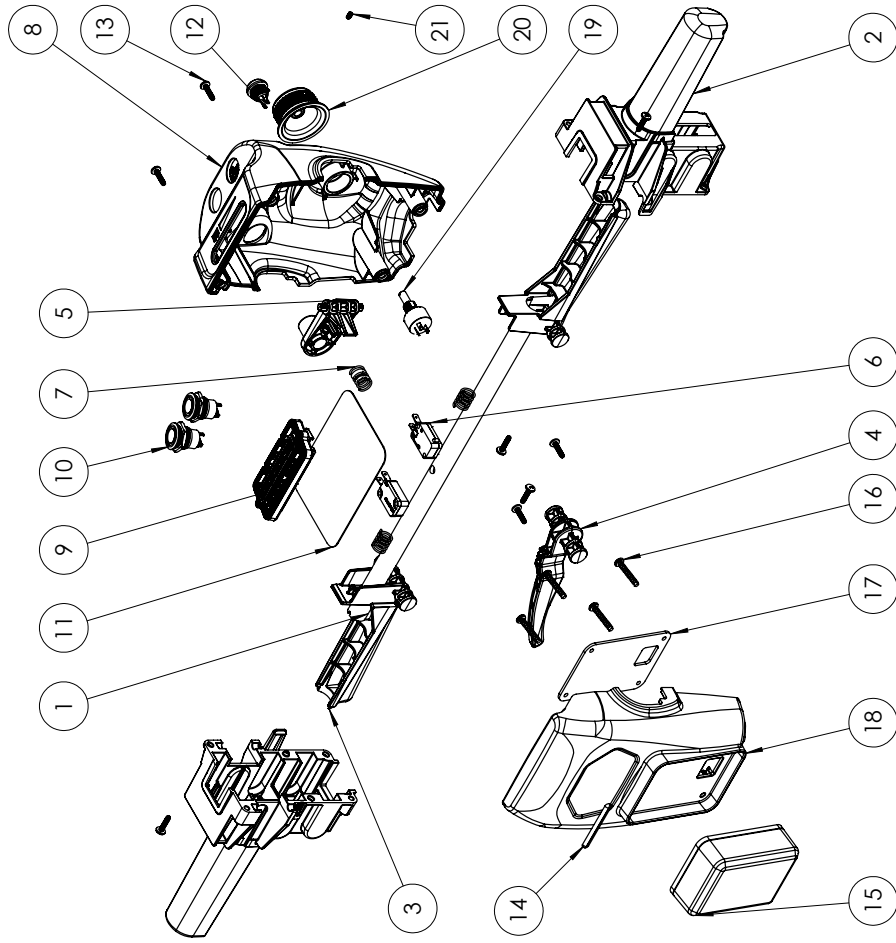
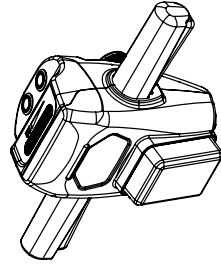
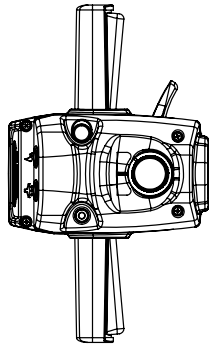
ITEM NO.	Item_No	DESCRIPTION	QTY.
1	910887	HANDLE CROSS TUBE	1
2	910726	HANDLE GRIP	2
3	910727	HANDLE TRIGGER	2
4	910733	HANDLE RELEASE LEVER	1
5	910734	HANDLE LOCK BUTTON	1
6	229483	SNAP ACTION SWITCH	2
7	219803	TRIGGER COMPRESSION SPRING	3
8	918172	NCC440 DRIVE REAR HANDLE COVER MOULDING BLACK	1
9	918188	FRONT HANDLE COVER MOULDING BLACK - TELEMATICS	1
10	910616	CSD HANDLE PCB ENCLOSURE ASSEMBLY	1
11	916125	IB19Z-P10FEB5V/S ANTI-VANDEL SWITCH (AIBIEKEN)	2
12	912145	HANDLE WIRING PROTECTOR	1
13	913246	ISR3Z1AD500 - YELLOW 12MM SEALED PUSH BUTTON SWITCH	1
14	219370	NO8 X 5/8 INCH LONG PLASTITE STAINLESS STEEL SCREW	8
15	913456	SELF-ADHESIVE DOMED PROTECTIVE STRIP	1
16	N/A	POTENTIOMETER TYPE Pe30.22k OHMS 20% 3W (WITH PANEL SEAL) (ROUND SHAFT WITH FLAT / NO SLOT IN SHAFT END)	1
17	918784	SPEED CONTROL KNOB	1
18	919363	M3 x 6mm Stainless Steel Flat Point Set / Grub Screw	1
19	919470	TELEMATICS MODULE ASSEMBLY - 244/122 HOURS METER BLACK	1
20	219369	NO8 X 1 INCH LONG POZI PAN STAINLESS STEEL PLASTITE SCREW	4

Numatic International Spare Parts

Model No: NCC440 DRIVE HANDLE ASSEMBLY - TELEMATICS

918859
DRAWING: DRW-43058 ISS-A04
07/04/2025

NB: FOR WIRING SEE DRAWING: WD-07??



ITEM NO.	Item_No	DESCRIPTION	QTY.
1	910887	HANDLE CROSS TUBE	1
2	910726	HANDLE GRIP	2
3	910727	HANDLE TRIGGER	2
4	910733	HANDLE RELEASE LEVER	1
5	910734	HANDLE LOCK BUTTON	1
6	229483	SNAP ACTION SWITCH	2
7	219803	TRIGGER COMPRESSION SPRING	3
8	918172	NCC440 DRIVE REAR HANDLE COVER MOULDING BLACK	1
9	910616	CSD HANDLE PCB ENCLOSURE ASSEMBLY	1
10	916125	IB19Z-P10FEB5V/S ANTI-VANDEL SWITCH (AIBIEKEN)	2
11	912145	HANDLE WIRING PROTECTOR	1
12	913246	ISR371AD500 - YELLOW 12MM SEALED PUSH BUTTON SWITCH	1
13	219370	No8 X 5/8 INCH LONG PLASTITE STAINLESS STEEL SCREW	8
14	913456	SELF-ADHESIVE DOMED PROTECTIVE STRIP	1
15	912615	TELEMATICS MODULE ASSEMBLY - GRAPHITE GREY	1
16	219369	No8 X 1 INCH LONG POZIPAN STAINLESS STEEL PLASTITE SCREW	4
17	912151	ADHESIVE PAD - TELEMATICS	1
18	918188	FRONT HANDLE COVER MOULDING BLACK - TELEMATICS	1
19	270294	POTENTIOMETER TYPE Pe30 22k OHMS 20% 3W (WITH PANEL SEAL) (ROUND SHAFT C/W SLOT ON SHAFT END)	1
20	918784	SPEED CONTROL KNOB	1
21	919363	M3 x 6mm Stainless Steel Flat Point Set / Grub Screw	1

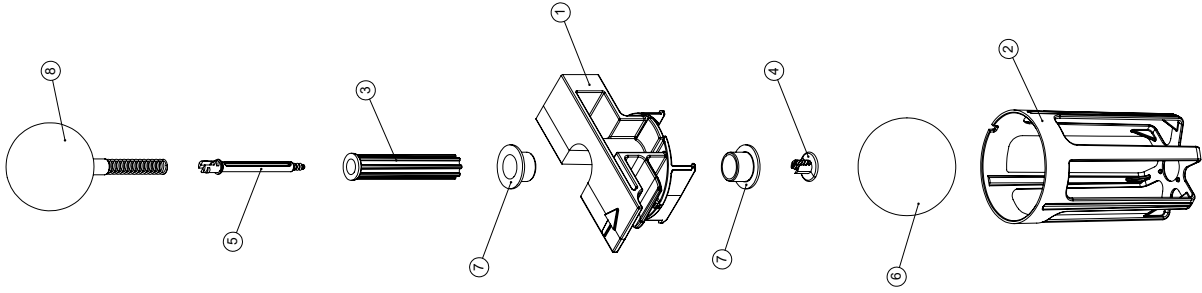
Numatic International Spare Parts

Model No: NCC440 DRIVE HANDLE ASSEMBLY - TELEMATICS

Numatic International Spare Parts

Model No: BALL SHUT OFF ASSEMBLY EXPLODED DRAWING

911798
DRAWING: DRW-31389 ISS:A02
15/07/2020



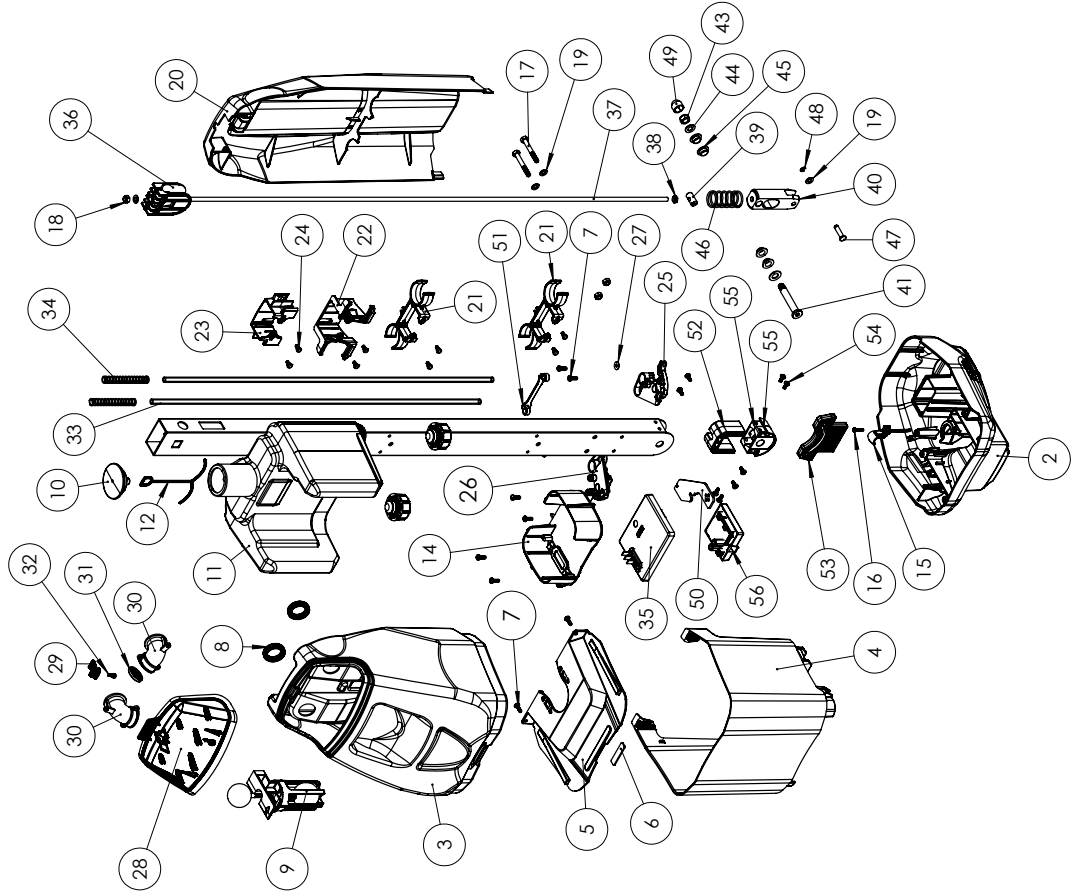
Numatic International Spare Parts

Model No: BALL SHUT OFF ASSEMBLY EXPLODED DRAWING

ITEM:	PART No:	Description	QTY.
1	911792	BALL SYSTEM MOUNT MOULDING	1
2	911796	BALL CAGE	1
3	911793	BALL SUPPORT PILLAR	1
4	911795	PILLAR END CAP	1
5	911794	PILLAR SPRING LOCK PIN	1
6	911797	PING PONG BALL	1
7	208331	IGUS BEARING (GFM 101209)	2
8	911799	HOLLOW BALL AND SPRING COMBINED	1

Numatic International Spare Parts
Model No: NCC440 DRIVE MID SECTION ASSEMBLY 126MM YOKE

NB: FOR WIRING SEE DRAWING: WD-07???



Numatic International Spare Parts
Model No: NCC440 DRIVE MID SECTION ASSEMBLY 126MM YOKE

ITEM NO.	Item No	DESCRIPTION	QTY.
1	918492	HANDLE TUBE - 30MM HIGHER HOLES POSITION - SIDE HOLES	1
2	918600	NCC440 DRIVE HANDLE BASE MouldING	1
3	911499	WASIE TANK P5 SHELLED WITH LUGS BLOW MouldING	1
4	913483	WT SUPPORT MouldING PRINTED NUMATIC 244NX	1
5	911534	WT SHELF MouldING	1
6	911786	FOAM PAD 40 X 10 X 2MM	1
7	219569	No8 X 1/2 INCH LONG POZI PAN STAINLESS STEEL PLASTITE SCREW	10
8	911282	GASKET SEAL RING MouldING	2
9	911798	BALL SHUT OFF ASSEMBLY	1
10	911280	CAP BUNG WITH VENT HOLE MouldING	1
11	911500	CSD P5 CLEAN TANK BLOW MouldING	1
12	911281	TETHER MouldING	1
13	911815	CHECK VALVE TANK COUPLING	2
14	911537	BATTERY SUPPORT MouldING	1
15	911272	WIRE CLAMP MouldING	1
16	219914	NO6. 5/8 INCH LG. POZI PAN SCREW STAINLESS STEEL PLASTITE	1
17	219896	M6 X 45MM LONG HEXAGONAL STAINLESS STEEL BOLT	2
18	219642	M6 STAINLESS STEEL NYLON INSERT HALF NUT	3
19	219870	M6 FORM A WASHER STAINLESS STEEL	4
20	911811	REAR COVER ASSEMBLY	1
21	913719	DUAL HOSE CLIP WRAP AROUND MouldING	2
22	915816	HOSE END WRAP AROUND MouldING	1
23	915815	TANK LOCK HOUSING WRAP AROUND MouldING	1
24	913857	BLACK U194 V-0 NYLON ROUND SNAP PUSH-IN RIVET SRVO-4060B	8
25	912596	FC VALVE RIGHT	1
26	912597	FC VALVE LEFT	1
27	907391	M4 A2 S/ST FLAT WASHER DIN9021 (REF: WAW5FM400X500)	2
28	911502	CSD P5 SEPARATOR MouldING AND SEAL OVERMould	1
29	911287	SPRING LATCH MouldING	1
30	911284	SEPARATOR PORT MouldING	2
31	911286	PORT FILTER DISC	1
32	914668	No. 6 X 3/8 A2 S/ST PZ PAN HD S/TAPPER SCREW (TYPE B FLAT END) DIN7981-F	1
33	913691	CLEAR SILICONE TUBE 5MM ID X 8MM OD X 608MM LONG	2
34	219327	80MM LONG COMPRESSION SPRING	2
35	919066	244 TRACTION CONTROL PCB ASSEMBLY	1
36	910730	HANDLE RELEASE SLIDER	1
37	910882	HANDLE LOCKING ROD	1
38	219099	M6 HALF NUT	1
39	911814	M6 X 20MM CROSS DOWEL BARREL NUT Z/P/L	1
40	919137	ROLL LATCH R3	1
41	918695	M8 SHOULDER BOLT, 50MM STAINLESS STEEL (ULTRA LOW PROFILE)	1
42	219903	M10 FORM A STAINLESS STEEL WASHER	1
43	219639	M8 STAINLESS STEEL NYLON INSERT NUT	1
44	219578	M8 FORM A STAINLESS STEEL WASHER	1
45	208330	IGUS BEARING (GFM 101206)	4
46	208782	SPRING (C5517490)	1
47	912703	6MM X 22MM S/S CLEVIS PIN WITH E-CLIP GROOVE	1
48	912704	E-CLIP RSM0040 DIN 6799	1
49	903260	M8 BOLT AND NUT CAP	1
50	913062	RETAINER PLATE	1
51	913695	HOSE RETAINER	1
52	918520	SPRING HOUSING MouldING - SCREWS	1
53	918523	PITCH LATCH R3	1
54	219601	No8 X 3/8 INCH LONG POZI PAN PLASTITE SCREW	8
55	918519	HANDLE PIVOT MouldING FOR YOKE 126MM - SIDE HOLES PIN	2
56	917430	BIDC WITH POTENTIOMETER	1

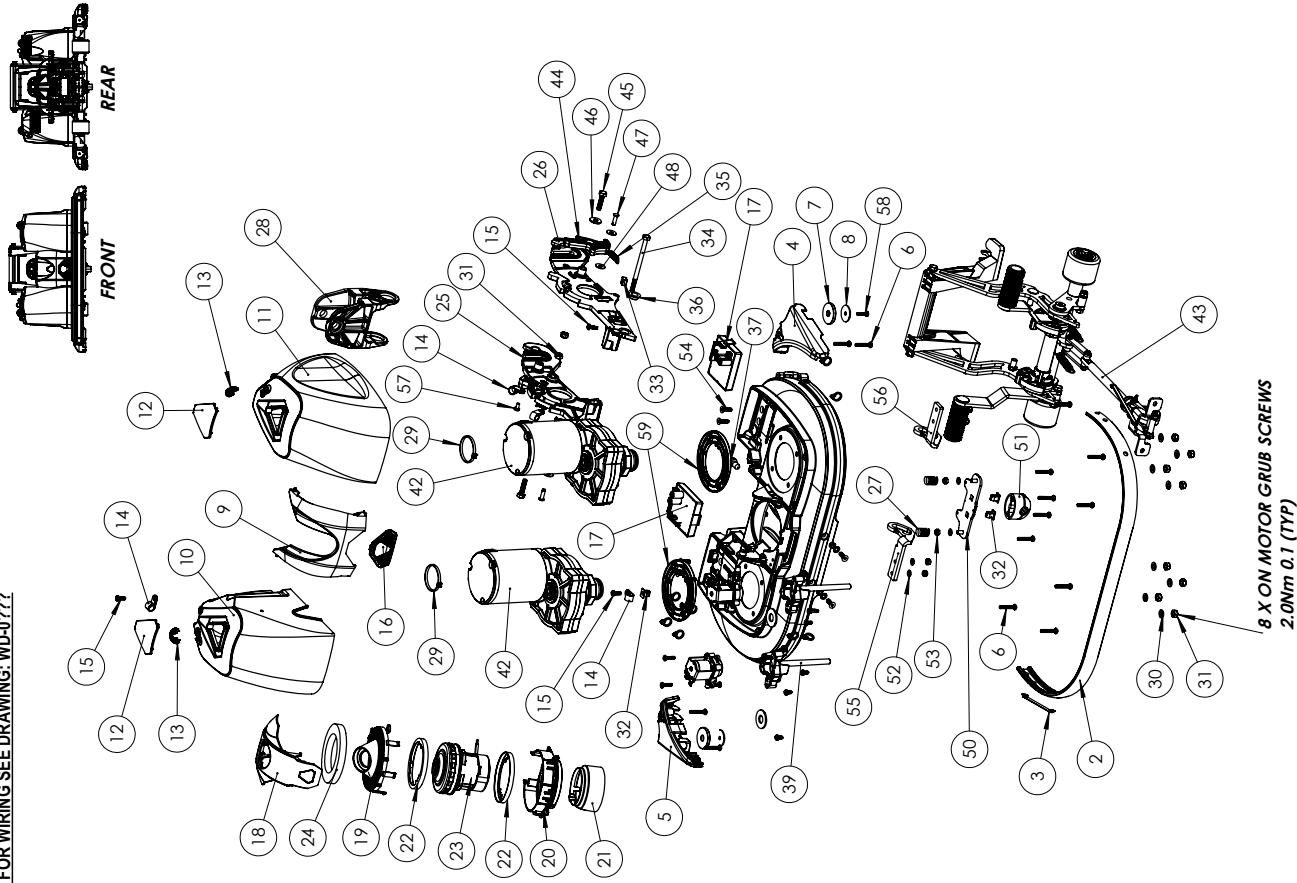
Numatic International Spare Parts

Model No: BASE ASSEMBLY 170MM YOKE TRACTION CO-ROTATE MACHINE

NB: FOR WIRING SEE DRAWING: WD-07??

918207

DRAWING: DRW-43049 ISS-A04
29/01/2025



Numatic International Spare Parts

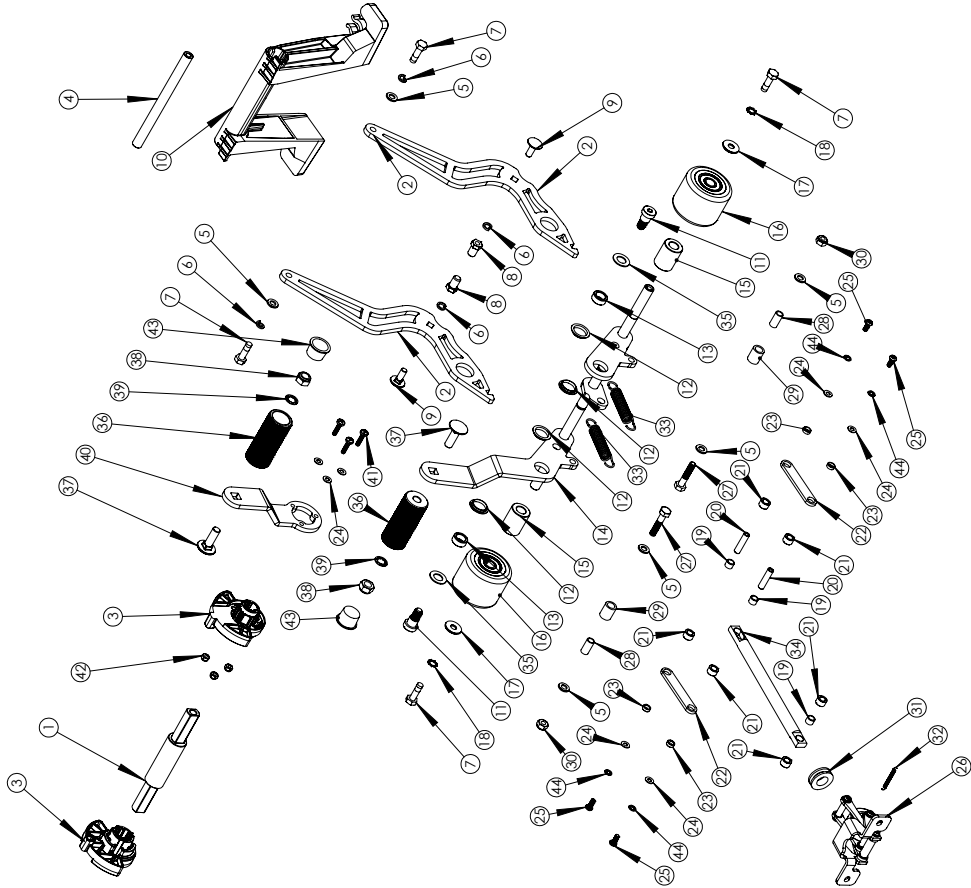
Model No: BASE ASSEMBLY 170MM YOKE TRACTION CO-ROTATE MACHINE

ITEM NO.	DESCRIPTION	QUANTITY
1	NUC DECK CASTING PROCESSED PAINTED SILVER CO-ROTATION PROCESSED DECK PAINTED	1
2	TRIM EXTRUSION (GREY)	1
3	NUC TRIM GUIDE MouldING (GREY)	2
4	RIGHT DECK WING MouldING (BLACK)	1
5	LEFT DECK WING MouldING (BLACK)	1
6	N68 X 1 INCH LONG POZI PAN STAINLESS STEEL PLASTITE SCREW	14
7	BUFFER WHEEL	2
8	M5 X 25MM X 1.5MM THICK A4 STAINLESS STEEL PENNY WASHER	2
9	CENTRE COVER MouldING (RECYCLED)	1
10	NUC LEFT MOTOR COVER MouldING (RECYCLED)	1
11	RIGHT MOTOR COVER MouldING PRINTED REFLO	1
12	VENT CAP MouldING	2
13	TUBE CLIP MouldING	2
14	P CLIP	4
15	N68 X 1/2 INCH LONG POZI PAN STAINLESS STEEL PLASTITE SCREW	4
16	NUC GRILL MouldING (RECYCLED)	1
17	36V BDC MOTOR CONTROLLER (CLOCKWISE) (LEFT)	2
18	NUC VAC OUTER MouldING (BLACK)	1
19	VAC TOP SECTION MouldING	1
20	VAC MIDDLE SECTION MouldING	1
21	VAC BOTTOM SECTION MouldING	1
22	VAC GASKET	2
23	CINDERSON B74-LS401.5010K-021 100W VAC MOTOR	1
24	FOAM PAD DISC	1
25	LINK ARM LEFT HANDED	1
26	LINK ARM RIGHT HANDED	1
27	TRIGGER COMPRESSION SPRING	2
28	YOKE 126MM	1
29	BLACK CABLE TIE	2
30	M6 FORM A WASHER STAINLESS STEEL	9
31	M6 STAINLESS STEEL NYLON INSERT HALF NUT	11
32	NYLON GROMMET NUT (PLASTIC INSERT TO SUIT NO 8 PLASTITE SCREW)	3
33	SCREW BLOCK	2
34	M6 X 90MM LONG STAINLESS STEEL HEXAGONAL HEAD BOLT	1
35	EXTENSION SPRING (82MM)	2
36	IGUS BEARING (GFM 101 206)	1
37	BLIND GROMMET (G10-RB62-50-005)	1
38	FCDS60B-DC24V MESHUO SOLENOID VALVE	2
39	SOLENOID CONNECTOR DOWNPIPE MouldING	2
40	M4 X 8MM LONG POZI PAN STAINLESS STEEL SCREW	4
41	2MM NEOPRENE CLOSED CELL DISC	2
42	BRUSH MOTOR SUB ASSEMBLY	2
43	NCC440 DRIVE SQUEEGER AND LIFTING MECHANISM YOKE 126MM ASSEMBLY	1
44	NUC FLOOR TOOL LATCH (BLACK)	2
45	M6 X 25MM LONG STAINLESS STEEL HEX SCREW	2
46	M6 FORM G STAINLESS STEEL WASHER	2
47	CLEVIS PIN 5/16 X 5/8 STAINLESS STEEL	2
48	M5 FORM G STAINLESS STEEL WASHER	4
49	WHITE CABLE TIE	9
50	BEARING MOUNTING PLATE M5 CLUNCH STUD ASSEMBLY	1
51	RULMP-05-12 - IGUS - DRYLIN® RULMP SPLIT HOUSING	1
52	M5 FORM A STAINLESS STEEL WASHER	8
53	M5 STAINLESS STEEL NYLON INSERT NUT	8
54	M5 X 16MM SOCKET COUNTERSUNK SCREW STAINLESS STEEL	6
55	LATCH PLATE R/H	1
56	LATCH PLATE L/H	1
57	M4 X 8MM LONG TORX PAN TAPITIE SCREW S/S	2
58	N06 X 5/8 INCH LONG POZI-PAN PLASTITE STAINLESS STEEL SCREW	6
59	Angled Motor Mount	2

918775
 DRAWING: DRW-42985 ISS-A04
 07/04/2025

Numatic International Spare Parts
 NCC440 DRIVE SQUEEGEE AND LIFTING MECHANISM YOKE
Model No: 126MM ASSEMBLY

NB: FOR WIRING SEE DRAWING: WD-07???



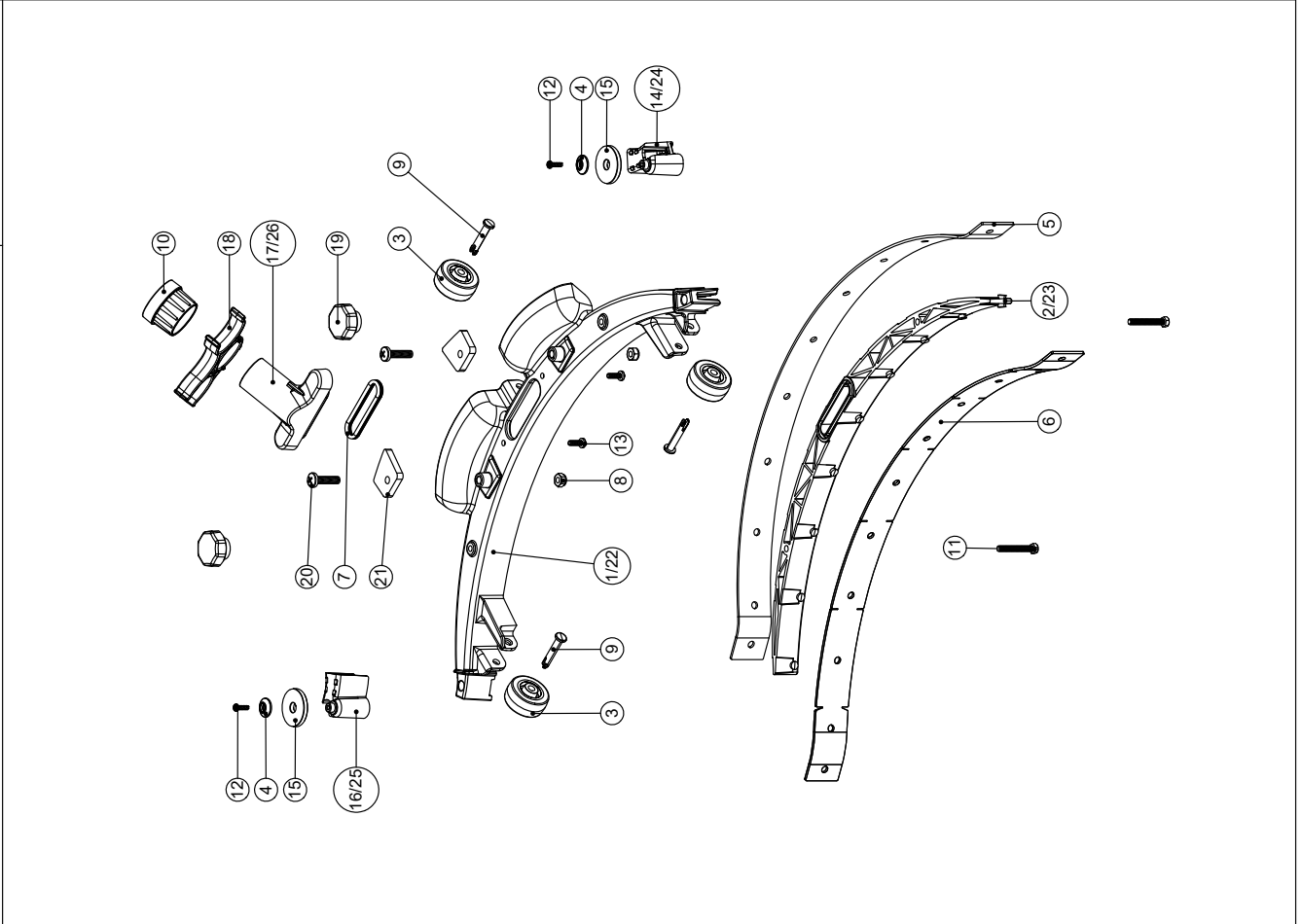
Numatic International Spare Parts

Model No: NCC440 DRIVE SQUEEGEE AND LIFTING MECHANISM YOKE 126MM ASSEMBLY

ITEM NO.	Item No	DESCRIPTION	Comments	QTY.
1	910722	AXLE		1
2	918877	FLOOR TOOL LINK ARM		2
3	914421	HUB Moulding		2
4	910883	SQUEEGEE PIVOT TUBE		1
5	219870	M6 FORM A WASHER STAINLESS STEEL		6
6	219718	WASHER-M6,SPRING-STAINLESS STEEL		4
7	291144	M6 X 20MM LG HEX HEAD SCREW STAINLESS STEEL C/W THREADLOCK	TORQUE TO 8.5Nm	4
8	918774	16MM FLOOR TOOL LIFTING PIN		2
9	291103	M6 X 16 COACH BOLT S/S	TORQUE TO 8.5Nm	2
10	918770	SQUEEGEE MOUNT BRACKET		1
11	913378	M8 SHOULDER BOLT, 8MM STAINLESS STEEL (LOW PROFILE)	TORQUE TO 10Nm	2
12	913217	IGUS BEARING (GFM-1516-02)		4
13	913237	SPACER 10.1MM ID X 15MM OD X 6.5MM		2
14	918706	AXLE SUPPORT WELD ASSEMBLY - YOKE 126MM		1
15	913219	NYLON SPACER 10MM ID X 20MM OD X 27MM LONG		2
16	913272	SUPPORT WHEEL (50MM x 40MM)		2
17	219647	M6 FORM G STAINLESS STEEL WASHER		2
18	902353	M6 EXTERNAL SHAKEPROOF WASHER STAINLESS STEEL		2
19	913212	Ø8 O/D 6MM BORE 6MM WIDTH IGUS BEARING GSM-0608-06		3
20	913280	CONNECTING ROD LINK SHAFT		2
21	913208	NYLON SPACER 6.2MM ID X 10MM OD X 6MM		6
22	913264	REAR LINKAGE		2
23	913207	Ø8 O/D 6MM BORE 3MM WIDTH IGUS BEARING GSM-0608-03		4
24	219688	M4 FORM A STAINLESS STEEL WASHER		7
25	913223	M4 X 10MM TORX BUTTON SCREW - THREAD LOCKING STAINLESS STEEL	TORQUE TO 2.6Nm	4
26	913364	NUC244 FRONT CASTOR ASSEMBLY		1
27	291022	M6 X 30MM LONG STAINLESS STEEL HEXAGONAL HEAD BOLT	TORQUE TO 8.5Nm	2
28	913245	SPACER 6MM OD X 8MM ID X 16MM LONG		2
29	913216	NYLON SPACER 8.2MM ID X 12MM OD X 15MM LONG		2
30	219642	M6 STAINLESS STEEL NYLON INSERT HALF NUT		2
31	913243	SHAFT BEARING 12.5MM ID X 24MM OD X 7.5MM LONG		1
32	913546	EXTENSION SPRING - SS304 - 3.2mm x 31mm		1
33	913557	EXTENSION SPRING - SS304 - 11mm x 65mm		2
34	913346	CONNECTING ROD		1
35	913439	THRUST WASHER (GTM-1018-010)		2
36	913614	FOOT PEDAL 1" O/D		2
37	902010	M8 X 25 COACH BOLT S/S	TORQUE TO 9.5Nm	2
38	219639	M8 STAINLESS STEEL NYLON INSERT NUT		2
39	902520	M8 INTERNAL WASHER SHAKEPROOF STAINLESS STEEL		2
40	918890	FLOOR TOOL PEDAL PLATE		1
41	219862	M4 X 16MM LONG POZI PAN STAINLESS STEEL SCREW	TORQUE TO 2.6Nm	3
42	219687	M4 STAINLESS STEEL NYLON INSERT NUT		3
43	913708	RED TAPERED CAP (11088)		2
44	291145	M4 SHAKEPROOF WASHER STAINLESS STEEL		4

Numatic International Spare Parts
Model No: SQUEEGEE ASSEMBLY EXPLODED DRAWING

911916.918093
 DRAWING: DRW-31959 ISS:A09
 23/02/2024



Numatic International Spare Parts
Model No: SQUEEGEE ASSEMBLY EXPLODED DRAWING

911916.918093
 DRAWING: DRW-31959 ISS:A09
 23/02/2024

POS.	ITEM No.	DESCRIPTION	COMMENTS	Default/911916 QTY.	BLACK/918093 QTY.
1	913895	SQUEEGEE OUTER DIE CASTING PAINTED - SILVER		1	-
2	911516	CSD SQUEEGEE INNER MOULDING FOR DIE CASTING		1	-
3	208454	36MM DIA GREY WHEEL		3	3
4	208603	NYLON FINISHING WASHER (BLACK)		2	2
5	911519	CSD SQUEEGEE REAR BLADE		1	1
6	911518	CSD SQUEEGEE FRONT BLADE		1	1
7	209077	SQUEEGEE SEAL EXTRUSION		1	1
8	219642	M6 STAINLESS STEEL NYLON INSERT HALF NUT		2	2
9	911517	NUC SNAP LOCK PIN (BLACK)		3	3
10	910970	32MM HOSE CUFF		1	1
11	905554	M5 X 35MM LONG HEXAGONAL HEAD SCREW ST/ST	5.0Nm ± 0.5	2	2
12	291053	3.5 X 12MM POZI PAN PLASTITE SCREW S/S	1.6Nm ± 0.1	2	2
13	219569	No8 X 1/2 INCH LONG POZI PAN STAINLESS STEEL PLASTITE SCREW	2.6Nm ± 0.1	2	2
14	911511	LEFT HAND NUC420 FLOOR TOOL CLIP		1	-
15	237266	BUFFER WHEEL		2	2
16	911512	RIGHT HAND NUC420 FLOOR TOOL CLIP		1	-
17	912051	HOSE TRAP INLET		1	-
18	912052	HOSE TRAP CLIP		1	1
19	208455	TTB 1840 SQUEEGEE KNOB		2	2
20	902232	M6 X 25MM LONG POZI PAN SCREW STAINLESS STEEL		2	2
21	914782	NUC 244 SQUEEGEE SNAP PLATE	Peel foil and clean dirty surfaces	2	2
22	918135	SQUEEGEE OUTER DIE CASTING PAINTED - BLACK		-	1
23	917504	CSD SQUEEGEE INNER MOULDING FOR DIE CASTING		-	1
24	917231	LEFT HAND NUC420 FLOOR TOOL CLIP - BLACK		-	1
25	917232	RIGHT HAND NUC420 FLOOR TOOL CLIP		-	1
26	917503	HOSE TRAP INLET		-	1


Numatic International Limited (Head Office)

Chard, Somerset TA20 2GB, UNITED KINGDOM

Tel: 01460 68600 numatic.com

Numatic International GmbH

Fränkische Straße 15-19, 30455 Hannover, DEUTSCHLAND

Tel: +49 (0) 511 984 2160 numatic.de

Numatic International Denmark

Fränkische Straße 15-19, 30455 Hannover, DEUTSCHLAND

Tel: +45 (0) 316 40808 numatic-online.dk

Numatic International S.A.S

13/17 rue du Valengelier, EAE la Tuilerie, 77500 Chelles, FRANCE

Tel: +33 (0) 164 726 161 numatic.fr

Numatic International BV

Vennootsweg 15, 2404 CG, Alphen aan den Rijn, NEDERLAND

Tel: +31 (0) 172 467 999 numatic.nl

Numatic International Schweiz AG.

Sihlbruggstrasse 3A, 6340 Baar, SCHWEIZ

Tel: +41 (0) 41 768 0760 numatic.ch

Numatic International (PTY) Ltd.

Cnr. 16th & Pharmaceutical Road, Randjes Park, Midrand 1685, SOUTH AFRICA

Tel: +27 (0) 861 686 284 numatic.co.za

Numatic International ULDA

Rua Francisco da Silva Duarte, nº79,

4475-269 Santa Maria de Avioso, Castelo da Maia, PORTUGAL

Tel: +351 220 047 700 numatic.pt

Numatic International Spain, S.L.U.

Av. Baix Llobregat, 5-7, Oficina bajos 1 (Parc Negocis Mas Blau II)

08820 El Prat de Llobregat (Barcelona), SPAIN

Tel: +34 93 647 22 22 numatic.es

Numatic International Italy S.R.L

Via Luigi Galvani, 2, Z.I. Talponedo, 33080 Porcia (PN), ITALY

Tel: +39 (0) 434 046 211 numatic.it